



ADDENDUM

Lab Tech Bachelors Program
Bakersfield College
Kern Community College District
550-0047

Date: February 13, 2024

To: All Bidders

Subject: Addendum #3

*Total Addendum includes:
[4] 8.5x11*

NOTICE TO CONTRACTORS FIGURING THIS WORK

You are hereby notified of the following changes in the Plans and Specifications, which shall take precedence over anything to the contrary therein.

Item # **Description**

3.1 Refer to Sheet A8.20:

- 3.1.1 Refer to Detail 12/A8.20 ROLLER SHADE ASSEMBLY. Replace Detail 12/A8.20 ROLLER SHADE ASSEMBLY with Detail 45/A8.20 ROLLER SHADE ASSEMBLY.

3.2 Refer to Sheets A5.10 and E2.00:

- 3.2.1 Lighting layout shown on Sheet A5.10 in Rooms 27A HOOD ROOM and 27B INSTRUMENT ROOM shall match Sheet E2.00 LIGHTING PLAN.

3.3 Refer to Specifications DIVISION 00 PROCUREMENT AND CONTRACTING REQUIREMENTS:

- 3.3.1 Change Bid deadline from 02/20/2024 at 2:00 PM to 02/22/2024 at 3:00 PM
- 3.3.2 See attached Mandatory Job Walk sign in sheet.

3.4 Refer to Sheet A8.20:

- 3.4.1 Add Detail 46 per attached ADD-03.01.

End of addendum



Construction & Facilities Planning Dept.
2100 Chester Avenue, Room 201
Bakersfield, CA 93301-4099
Ph (661) 336-5174, Fax (661) 336-5185

**Bakersfield College
Lab Tech Bachelors Program
Mandatory Job Walk, Feb 13, 2024 1:00 pm**

Company Name (Print)	Phone #	E-Mail	Contact Person (Print)
1. Alcorn Aire	661-323-1992	jalcorn@alcornaire.com	Jason Alcorn
2. Emcor/Mesa	661 335-1500	chenriksen@emcor.net	Craig Henriksen
3. Black Hall	641 706-6204		Glenn Black.
4. Ron Elksaue	661-204-0419	Ron@KUSMITHCO.COM	Ron Elksaue
5. ^{Bowen ENGINEERS} LARRY PARFITT	552-233-7464	office@bowendemo.com	ERIK Bowen
6. JTS Construction	661-8359270	estimating@jtsconstruction.com	Jennifer Gangl

7. Ryan Rowley CSE 661-978-5747 r9m@schoolccs.edu

8. KRISTIN RABE 661395-4615 krabe@bakersfieldcollege.edu

9. _____

10. _____

11. _____

12. _____

13. _____

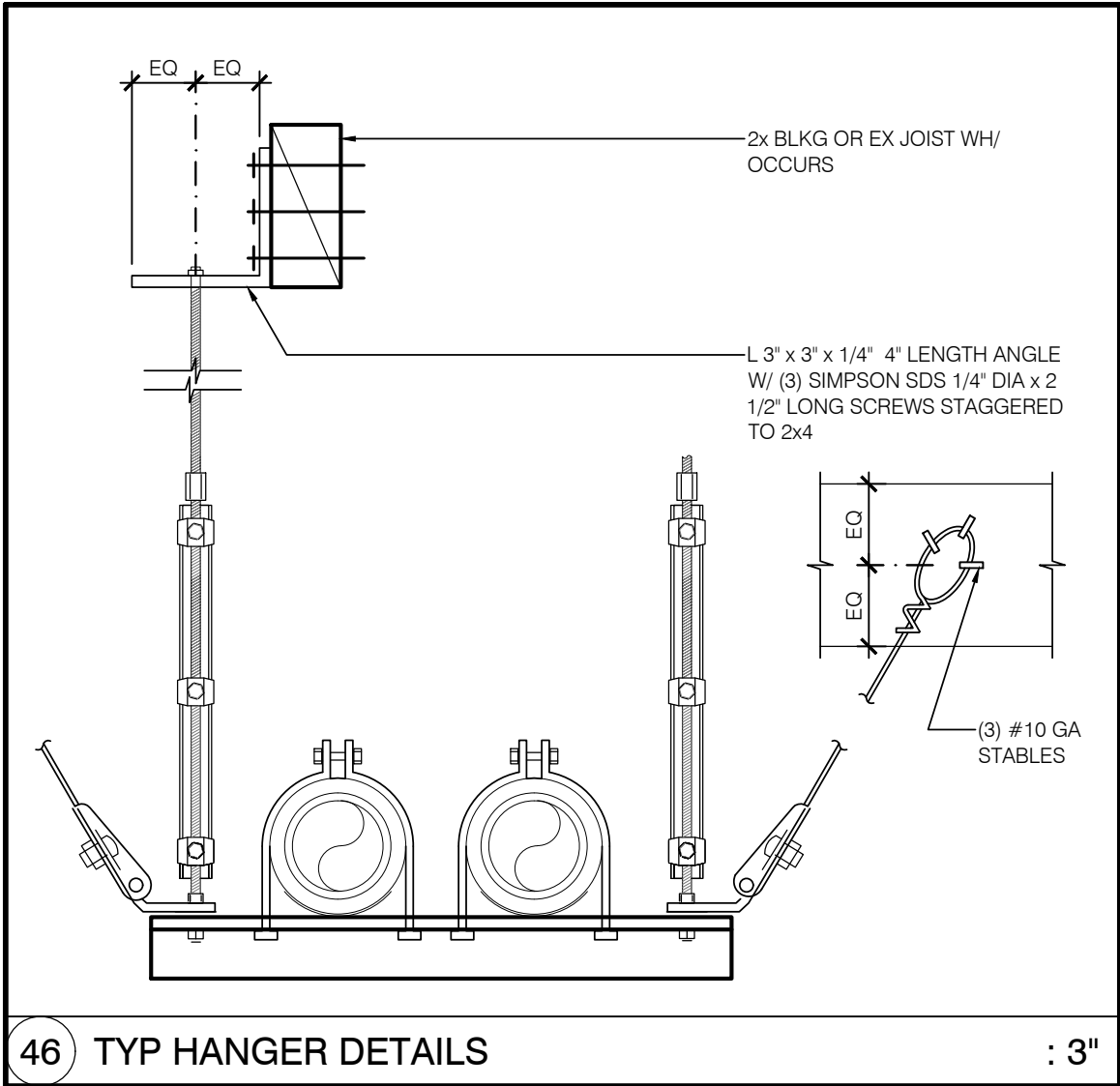
14. _____

KCCD

661-616-8048

dareed@kccd.edu

Daniel W Reed



46 TYP HANGER DETAILS

: 3"

02.13.24 16:50



BC LAB TECH BACHELORS PROGRAM

Bakersfield College
 1801 Panorama Dr. Bakersfield, CA 93305
 Kern Community College District

PROJECT INFO		
Project No	550-0047	
Drawn By		
Checked By		
Date	02.13.24	
NOTES		
No	Date	Item
	02.13.24	ADD-03

DETAILS

ADD-03.01